

CUST. MODEL:	REF.
CUST. P/N	DWG FILE:

DESCRIPTION CONTROL			
REV.	DESC.	DATE	APP.

SPFCIFICATIONS

Current Rating:

1.0 Amp

Insulator Resistance:

1000 Megohms min.

Contact Resistance:

20 m ohms max.

Dielectric withstanding:

AC 500V/minute

Operating Temperature:

-40°C to +105°C

Contact Material:

Phosphor Bronze

Insulator Material:

High Temperature Thermoplastic

+Glass Fibre UL94V-0

Color: Black

Finish:

Gold, Tin or Duplex plated

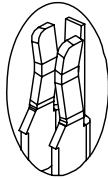
Standard: Gold flash all over

Duplex plating:

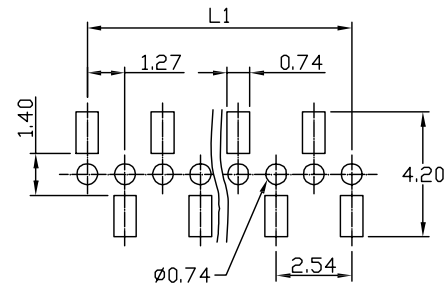
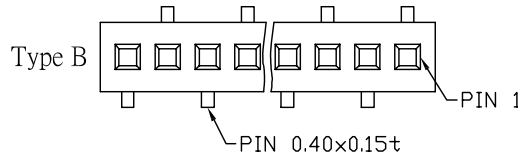
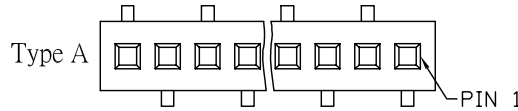
Gold plated on contact area

Tin on solder area

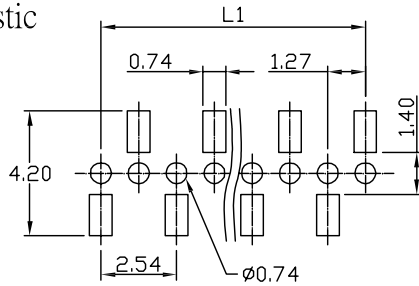
RoHS Compliance



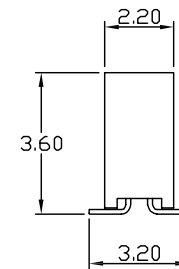
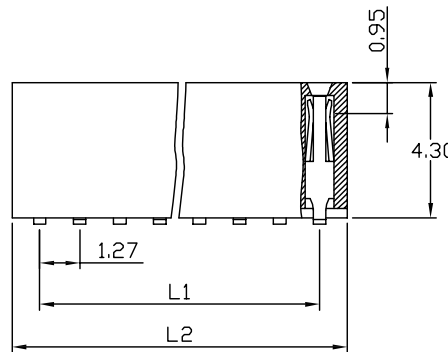
Three Side Contact Terminal



Recommended P.C.B Layout (Type A)

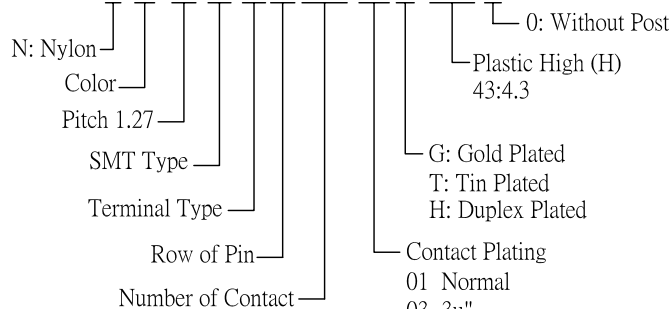


Recommended P.C.B Layout (Type B)



Circuits	Dimension (mm)	
	L1	L2
3	2.54	4.21
4	3.81	5.48
5	5.08	6.75
6	6.35	8.02
7	7.62	9.29
8	8.89	10.56
9	10.16	11.83
10	11.43	13.10
11	12.70	14.37
12	13.97	15.64
13	15.24	16.91
14	16.51	18.18
15	17.78	19.45
16	19.05	20.72
17	20.32	21.99
18	21.59	23.26
19	22.86	24.53
20	24.13	25.80
21	25.40	27.07
22	26.67	28.34
23	27.94	29.61
24	29.21	30.88
25	30.48	32.15
26	31.75	33.42
27	33.02	34.69
28	34.29	35.96
29	35.56	37.23
30	36.83	38.50
31	38.10	39.77
32	39.37	41.04
33	40.64	42.31
34	41.91	43.58
35	43.18	44.85
36	44.45	46.12
37	45.72	47.39
38	46.99	48.66
39	48.26	49.93
40	49.53	51.20
41	50.80	52.47
42	52.07	53.74
43	53.34	55.01
44	54.61	56.28
45	55.88	57.55
46	57.15	58.82
47	58.42	60.09
48	59.69	61.36
49	60.96	62.63
50	62.23	63.90

FH N B-13 M X 1 XX-01G-XX 0



UNLESS OTHERWISE SPECIFIED SURFACE FINISH ALL OVER TOLERANCES mm METRIC .X = ±0.38 .XX = ±0.25	DRAW: CHUBBY	DATE: 01/10/07	TITLE: 1.27 Female Header SMT Type Plastic High 4.3
	CHECK: KEVIN	APPROVE: TONY	MODEL CODE: FHNB-13MT1XX-01G-430
			<p>誠州電子有限公司 Sincere State Electronics Co.,Ltd.</p>

NO	DESCRIPTION	QTY
----	-------------	-----