

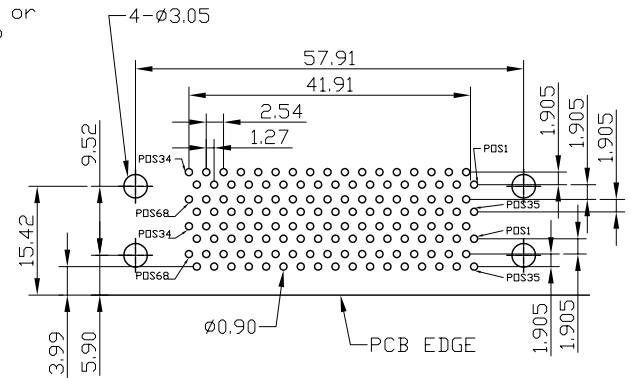
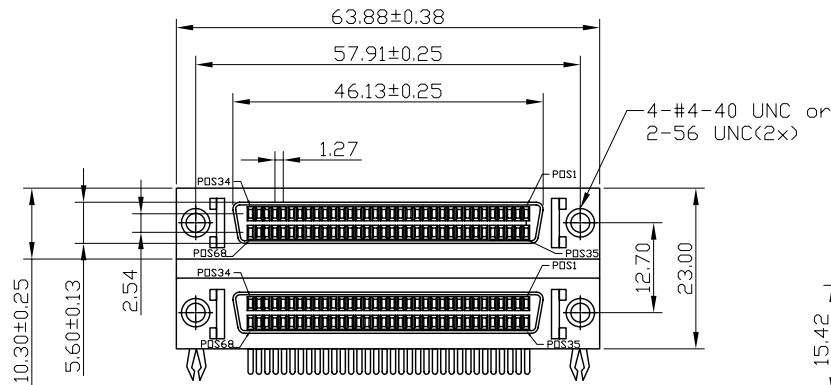
CUST. MODEL:	REF.
CUST. P/N	DWG FILE:

DESCRIPTION CONTROL			
REV.	DESC.	DATE	APP.

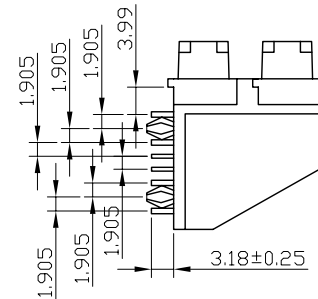
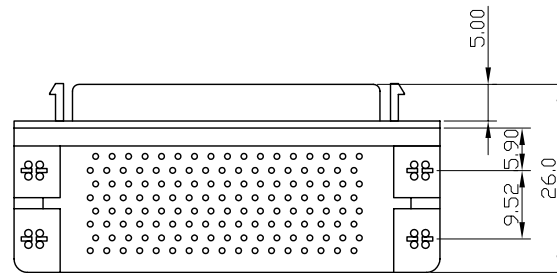
**MATERIALS**

Housing:PBT Thermoplastic  
 30% Glass Filled UL94V-0  
 Color:Black  
 Terminal:Phosphor Bronze  
 Metal Shell& Bracket:Zinc Alloy  
 Board lock:0.60mm Thickness,Brass  
 Plating  
 Terminal:  
 Solder Tail:

RoHS: Tin(Sn),Thickness=100 Microinch  
 Min/2.54 Micrometer Min.  
 N/A:Tin-Lead(Sn-Pb),Thickness=75 Microinch  
 Min/1.905 Micrometer Min. Under  
 Plate:Nickel(NI),Thickness=50 Microinch  
 Min/1.27 Micrometer Min.  
 Metal Shell & Bracket:Nickel(NI)  
 Board Lock:Tin(Sn), Thickness=100 Microinch  
 Min/2.54 Micrometer Min.  
 Recommended PCB Thickness:1.60+/-0.05mm



RECOMMENDED PCB LAYOUT



UNLESS OTHERWISE SPECIFIED SURFACE FINISH ALL OVER TOLERANCES mm  METRIC  .X = ±0.38 .XX = ±0.25 .XXX = ±0.15	DRAW: Chubby	DATE: 12/22/02	<b>TITLE:</b> SCSI II D-SUB PCB Right Angle 68F-68F W/BoardLock Dual Port With Latch
	CHECK: KEVIN	APPROVE: TONY	<b>MODEL CODE:</b> SC-2122X
			<b>誠州電子有限公司</b> <i>Sincere State Electronics Co.,Ltd.</i>

NO	DESCRIPTION	QTY