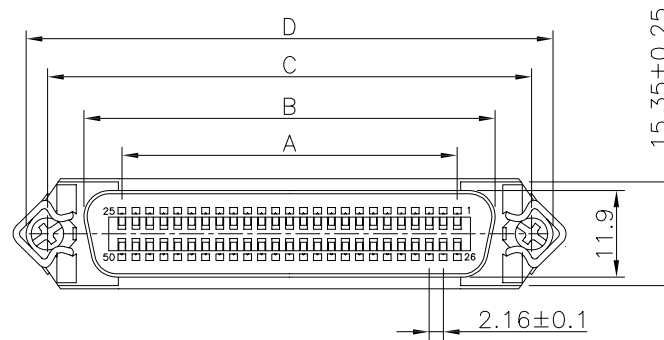
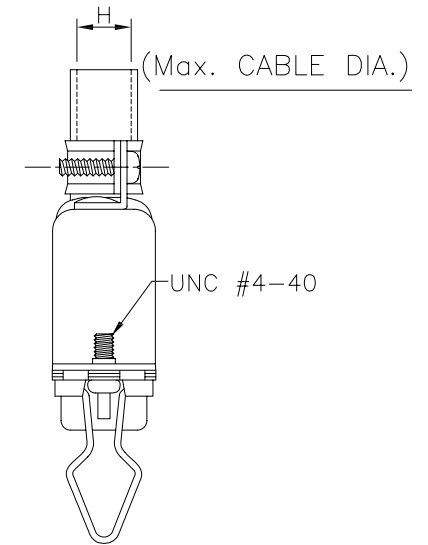
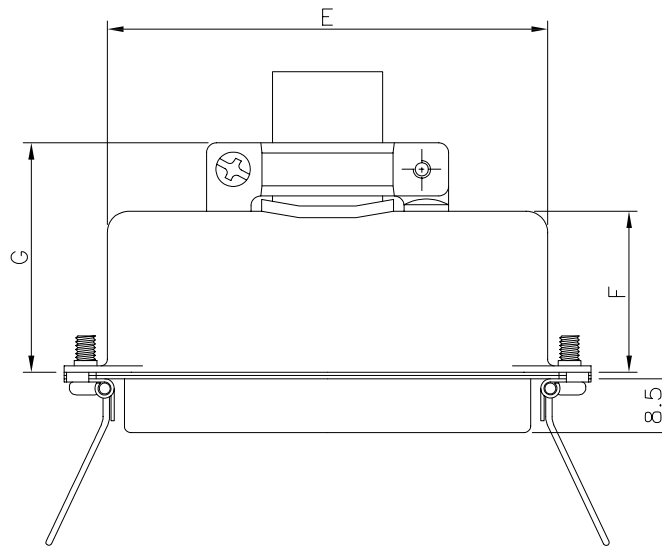


CUST. MODEL:	REF:
CUST. P/N:	DWG FILE:

DESCRIPTION CONTROL			
REV.	DESC.	DATE.	APP.
1.0			

Material & Finish

- SHELL:**
Steel
Zinc plated, Tin plated
or Nickel plated steel
- PIN CONTACT:**
Phosphor bronze or Brass
Gold plated
- INSULATOR:**
PBT & Glass-fibre reinforced
UL 94V-0
- NUMBER OF CONTACT:**
14,24,36,50
- CURRENT RATING:**
5 Amp
- DIELECTRIC STRENGTH:**
1000V for one minute
- INSULATOR RESISTANCE:**
1000MΩ Min. (at 500V DC)
- CONTACT RESISTANCE:**
25mΩ Max.
- TEMPERATURE:**
-55° C to +105° C



DS118- □ □ □ □ □ □

No. OF PINS:
14,24,36,50

Contact type:
1 Female

Contact:
1 Gold flash and Tinned Tail
2 15u" Gold on contact
3 30u" Gold on contact
4 Selective Gold (full Gold)

Position of clinch nut:
0 3.05mm clear hole
1 Riveted front shell
2 Riveted rear shell
3 Riveted boardlock

Flange Mounting Option:
0 3.05mm clear hole
1 #4-40 threaded hole
2 M3 threaded hole
3 M2.6 threaded hole
4 None (for shell with ball ear)

Positions	A	B	C	D	E	F	G	H
14	12.96	25.2	36.0	43.9	29.0	21.6	31.6	7.0
24	23.76	36.0	46.8	55.0	39.7	20.2	30.1	9.0
36	36.72	48.9	59.7	67.7	52.8	22.6	32.7	11.5
50	51.84	64.1	74.9	82.8	68.1	24.9	35.5	12.5

UNLESS OTHERWISE SPECIFIED SURFACE FINISH ALL OVER TOLERANCES mm

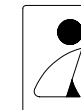
METRIC

- X. = ±0.5
- .X = ±0.30
- .XX = ±0.25
- .XXX = ±0.15

DRAW: BEN
DATE: 07/10/06
CHECK: KEVIN
APPROVE: TONY

TITLE: CENTRONIC SOLDER TYPE FEMALE WITH MATEL COVER

MODEL CODE: DS118-XX1XXX



誠州電子有限公司

Sincere State Electronics Co.,Ltd.

NO.	DESCRIPTION	QTY
-----	-------------	-----