

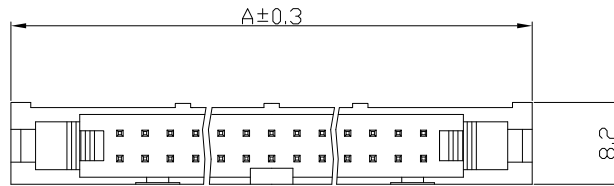
CUST. MODEL:	REF.
CUST. P/N:	DWG FILE:

DESCRIPTION CONTROL			
REV.	DESC.	DATE	APP.

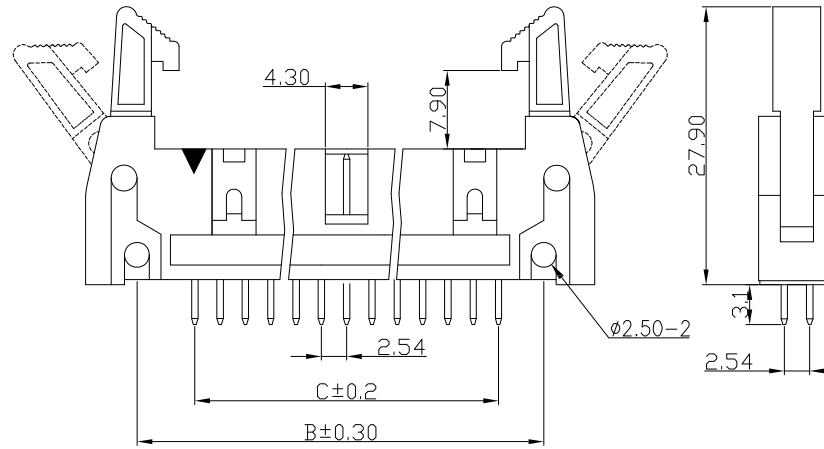
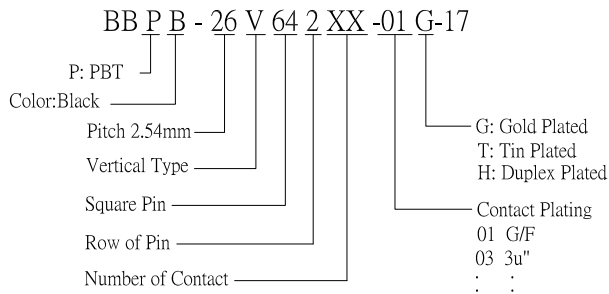
POSITION	A	B	C
10	32.00	21.84	10.16
12	34.54	24.38	12.70
14	37.08	26.92	15.24
16	39.62	29.46	17.78
20	44.70	34.54	22.86
24	49.78	39.62	27.94
26	52.32	42.16	30.84
30	57.40	47.24	35.56
34	62.48	52.32	40.64
40	70.10	59.94	48.26
50	82.80	72.64	60.96
60	95.50	85.34	73.66
64	100.58	90.42	78.74

**SPECIFICATIONS**

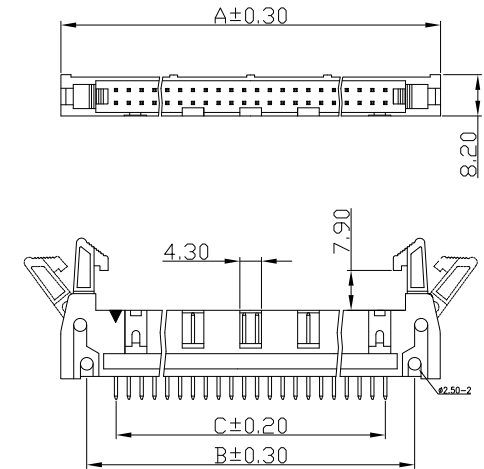
Material  
 Insulator: PBT UL94V-0  
 Contact: Brass , Gold flash plated  
 Electrical  
 Voltage Rating : 250 VAC/rms 60Hz  
 Current Rating: 3Amp  
 Contact Resistance: 30mΩ max.  
 Insulation Resistance: 1000MΩ min. at 1000VDC  
 Dielectric Withstanding Voltage: 1000VAC for 1minute  
 Operating Temperature - 55°C to +105°C



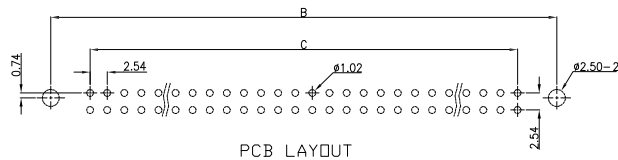
**RoHS Compliance**



10-50 PIN



60&64 PIN



UNLESS OTHERWISE SPECIFIED SURFACE FINISH ALL OVER TOLERANCES mm  METRIC  .X = ±0.30 .XX = ±0.20	DRAW: <i>Chubby</i>	DATE: 22/09/04	TITLE: <b>BOX HEADER WITH VERTICAL LATCH 2.54mm</b>
	CHECK: KEVIN	APPROVE: <i>TONY</i>	MODEL CODE: BBPB-26V642XX-01G-17
			 <b>誠州電子有限公司</b> <i>Sincere State Electronics Co., Ltd.</i>

NO	DESCRIPTION	QTY
----	-------------	-----