

CUST. MODEL:	REF.
CUST. P/N	DWG FILE:

DESCRIPTION CONTROL			
REV.	DESC.	DATE	APP.

### SPFCIFICATIONS

Current Rating:

1.0 Amp

Insulator Resistance:

1000 Megohms min.

Contact Resistance:

20 m ohms max.

Dielectric withstanding:

AC 500V/minute

Operating Temperature:

-40°C to +105°C

Contact Material:

Brass

Insulator Material:

High Temperature Thermoplastic

+Glass Fibre UL94V-0

Color: Black

Finish:

Gold, Tin or Duplex plated

Standard: Gold flash all over

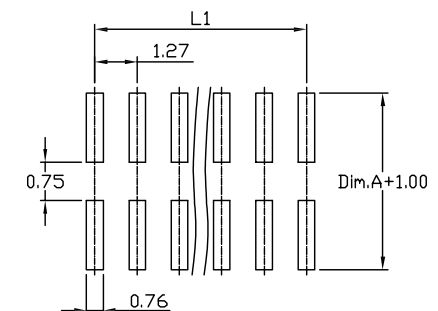
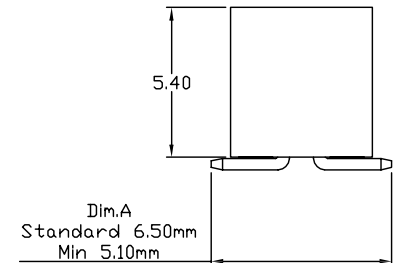
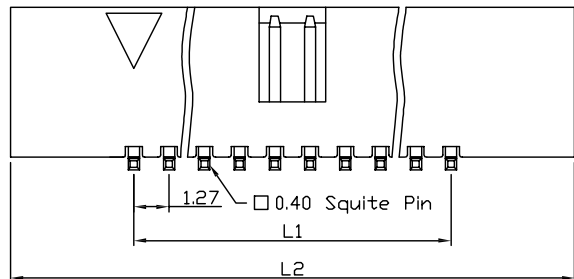
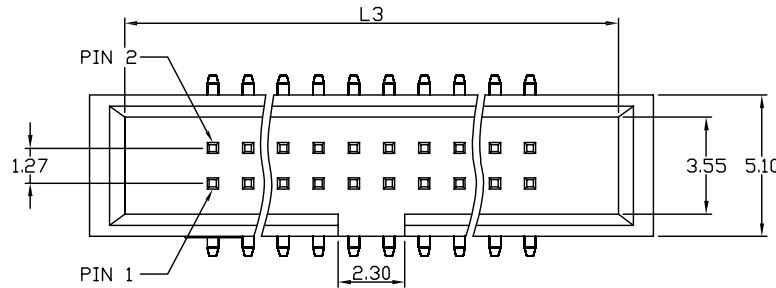
Duplex plating:

Gold plated on contact area

Tin on solder area

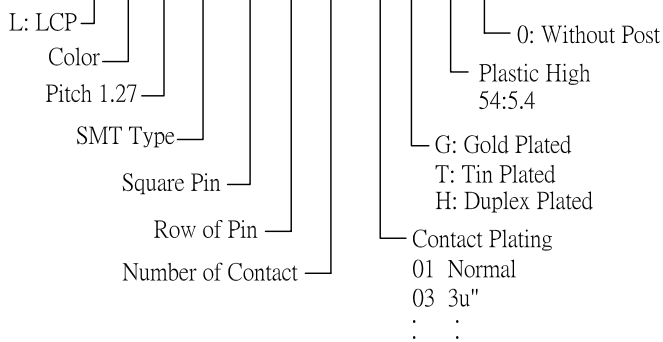
**RoHS Compliance**

Cir- cuits	Dimension (mm)		
	L1	L2	L3
2×3	2.54	10.11	8.56
2×5	5.08	12.65	11.10
2×6	6.35	13.92	12.37
2×7	7.62	15.19	13.64
2×8	8.89	16.46	14.91
2×10	11.43	19.00	17.45
2×12	13.97	21.54	19.99
2×13	15.24	22.81	21.26
2×14	16.51	24.08	22.53
2×15	17.78	25.33	23.80
2×17	20.32	27.89	26.34
2×20	24.13	31.70	30.15
2×22	26.67	34.24	32.69
2×25	30.48	38.05	36.50
2×30	36.83	44.40	42.85
2×32	39.37	46.94	45.39
2×34	41.91	49.48	47.93
2×40	49.53	57.10	55.55
2×50	62.23	69.80	68.25



RECOMMENDED P.C.B LAYOUT

BH L B-13 M XX 2 XX-01G-54 0



UNLESS OTHERWISE SPECIFIED SURFACE FINISH ALL OVER TOLERANCES mm

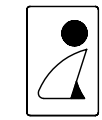
METRIC

.X = ±0.38

.XX = ±0.25

DRAW:	DATE:
CHUBBY	01/10/07
CHECK:	APPROVE:
KEVIN	TONY

TITLE:	1.27 Box Header SMT Type Plastic High 5.4
MODEL CODE:	BHLB-13M042XX-01G-540



誠州電子有限公司  
Sincere State Electronics Co.,Ltd.

NO	DESCRIPTION	QTY